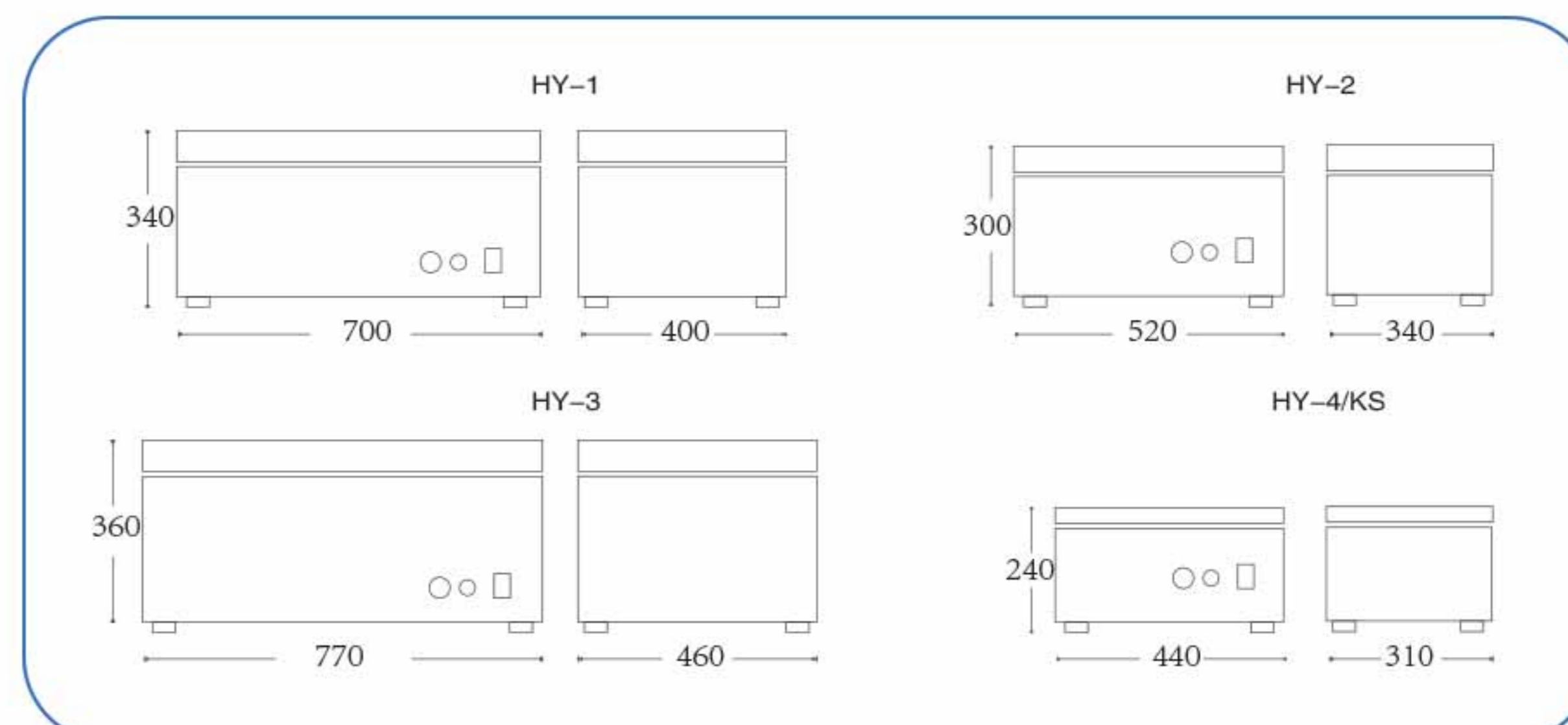


Variable Speed Multipurpose Shaker

DRYING OVEN
LABORATORY INCUBATOR
MUFFLE FURNACE
WATER DISTILLER
WATER BATH & OIL BATH
HEATING MANTLE
STIRRER
MIXER & SHAKER
HEATING PLATE & SAND BATH
DIGESTION APPARATUS & METAL BATH
NITROGEN SAMPLE CONCENTRATOR
CLEAN BENCH
STERILIZER
VACUUM PUMP
FILTRATION
GRINDER
COLONY COUNTER
DRYER
CENTRIFUGE
ELECTRIC FURNACE
LIFTING TABLE
LABORATORY CONSUMABLE



Dimension(mm)



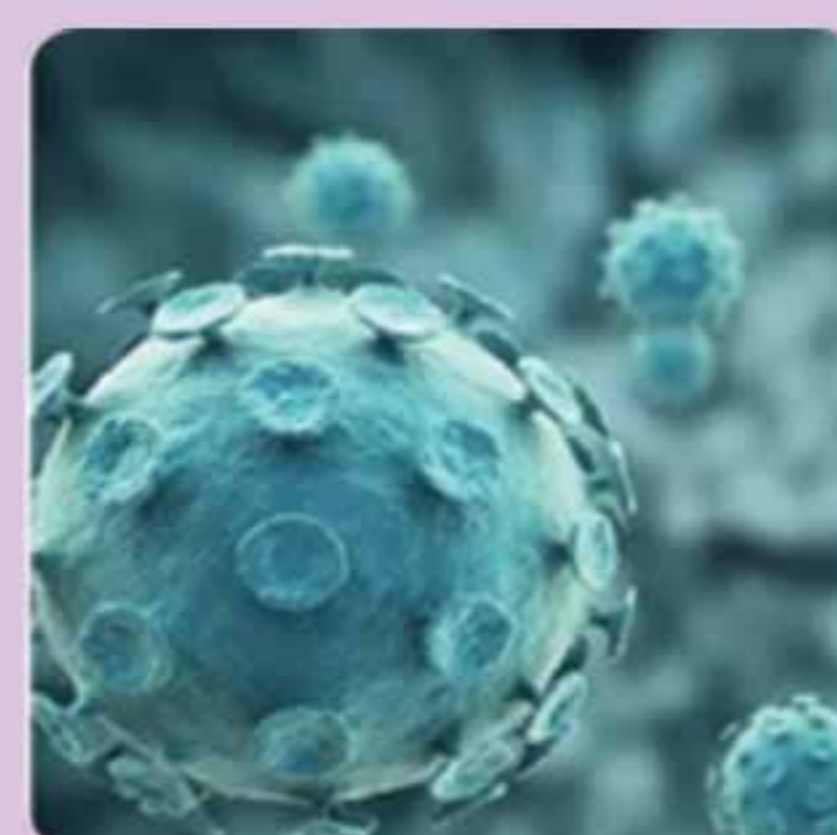
It is a culture preparation of biological samples for biochemical equipment, plant, biological, microbiological, biological, genetic, viral, medicine, environmental protection, scientific research, laboratory equipment and production departments on education.



Health care industry



Aquaculture industry



Biological research



Health



Biochemical tests



Environmental protection industry

Characteristics:

- In universal spring-try bottle especially for collaborative variety comparative experiment of cultivation of biological sample preparation.
- Equipped with mechanical timer.
- Step less speed regulation, easy operation.
- Shake method: reciprocation motion.

Major Technical Parameters:

Model	Voltage	Speed range	Aplitude	Time Range	Overall dimension(L×W×H)(mm)
HY-1	AC220V 50Hz	Start—300r/min	20mm	0—120min (Continues)	700*400*340
HY-2	AC220V 50Hz	Start—360r/min	20mm	0—120min (Continues)	520*340*300
HY-3	AC220V 50Hz	Start—300r/min	20mm	0—120min (Continues)	770*460*360
HY-4/KS	AC220V 50Hz	Start— 360r/min	20mm	0—120min (Continues)	440*310*240