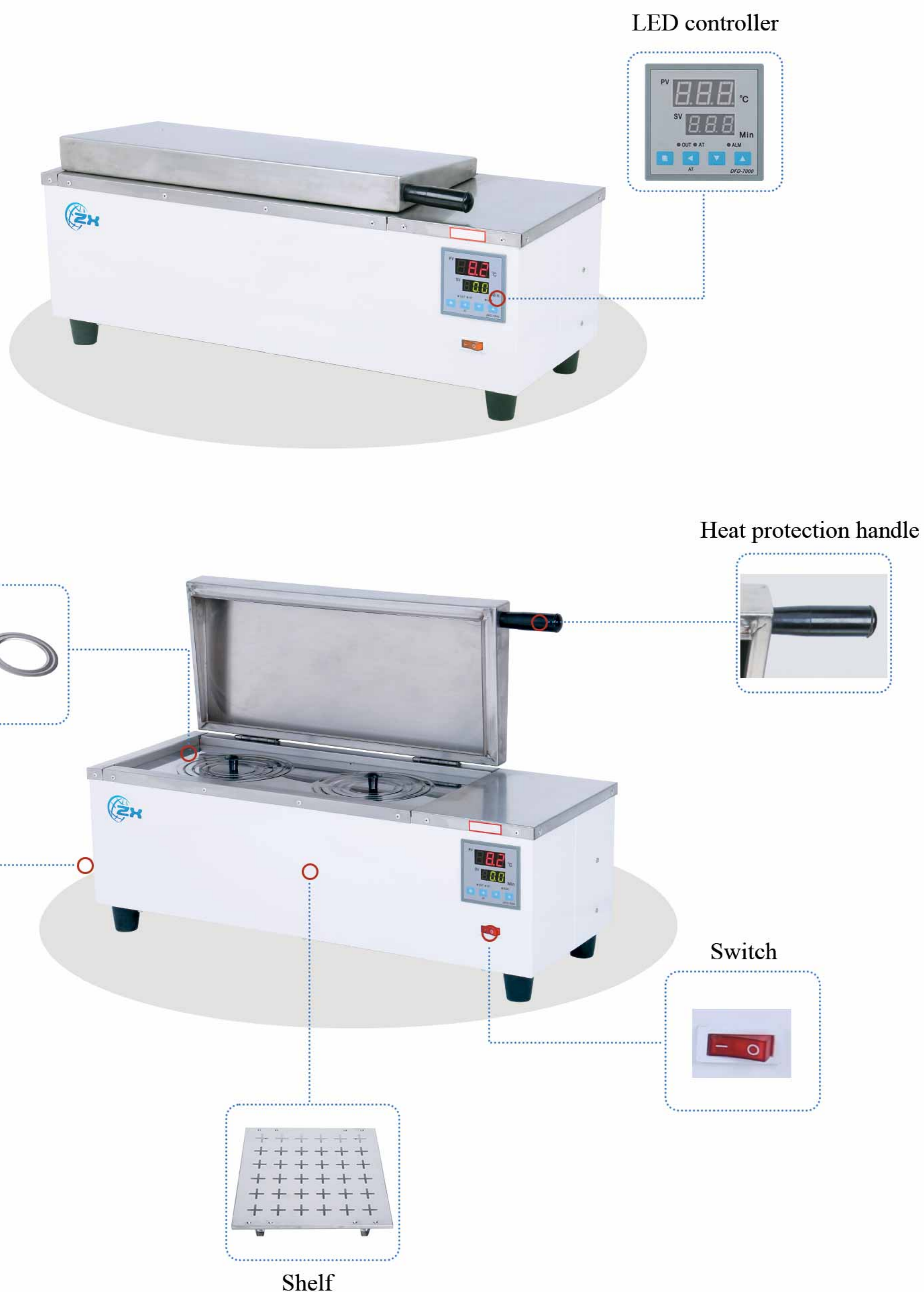
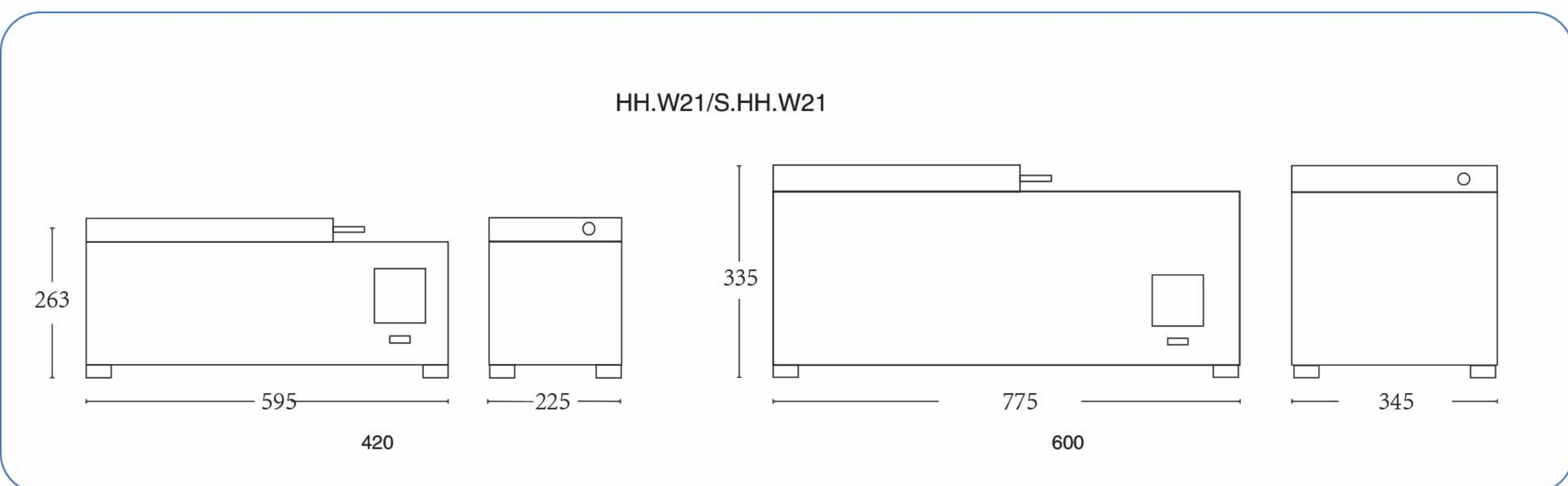


# Thermostatic Water Tank/3-Purpose Water Tank

- DRYING OVEN
- LABORATORY INCUBATOR
- MUFFLE FURNACE
- WATER DISTILLER
- WATER BATH & OIL BATH**
- HEATING MANTLE
- STIRRER
- MIXER & SHAKER
- HEATING PLATE & SAND BATH
- DIGESTION APPARATUS & METAL BATH
- NITROGEN SAMPLE CONCENTRATOR
- CLEAN BENCH
- STERILIZER
- VACUUM PUMP
- FILTRATION
- GRINDER
- COLONY COUNTER
- DRYER
- CENTRIFUGE
- ELECTRIC FURNACE
- LIFTING TABLE
- LABORATORY CONSUMABLE



## Dimension(mm)





- DRYING OVEN
- LABORATORY INCUBATOR
- MUFFLE FURNACE
- WATER DISTILLER
- WATER BATH & OIL BATH**
- HEATING MANTLE
- STIRRER
- MIXER & SHAKER
- HEATING PLATE & SAND BATH
- DIGESTION APPARATUS & METAL BATH
- NITROGN SAMPLE CONCENTRATOR
- CLEAN BENCH
- STERILIZER
- VACUUM PUMP
- FILTRATION
- GRINDER
- COLONY COUNTER
- DRYER
- CENTRIFUGE
- ELECTRIC FURNACE
- LIFTING TABLE
- LABORATORY CONSUMABLE

**It applies in distilling, drying, concentrating and thermostatic heating the chemicals and biological products, checking serum, biochemical experiment, thermostatic culture, and boiling sterilizing for injectors and small surgical equipment in laboratories and medical and health units.**

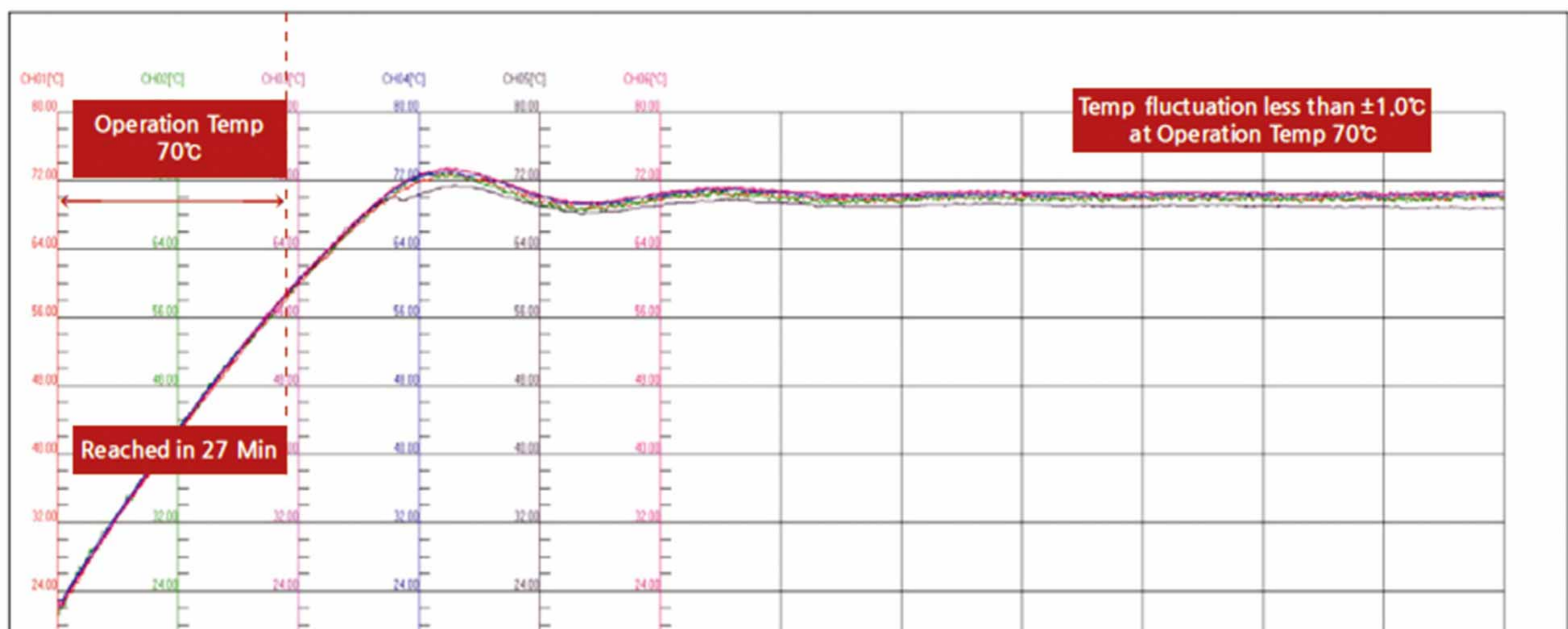


A must for college laboratories

Necessary for mining enterprises to experiment

Essential for medical research

### Temperature Fluctuation Sheet:



### Characteristics:

- The case adopts high quality cold- rolled plate and the electrostatic plastic spraying treatment on the surface.
- The working room, upper frame and lower frame and top cover are made of high quality imported stainless steel plate. It has advantages, such as reasonable structure design, strong corrosion resistant, beautiful shape, easy to operate and long useful life etc.
- Microcomputer intelligent temperature control instrument control, with temperature control and high precision, stable performance, easy operation and convenience.



## Major Technical Parameters:

DRYING OVEN

LABORATORY  
INCUBATOR

MUFFLE FURNACE

WATER DISTILLER

WATER BATH  
& OIL BATH

HEATING MANTLE

STIRRER

MIXER & SHAKER

HEATING PLATE &  
SAND BATH

DIGESTION APPARATUS  
& METAL BATH

NITROGEN SAMPLE  
CONCENTRATOR

CLEAN BENCH

STERILIZER

VACUUM PUMP

FILTRATION

GRINDER

COLONY COUNTER

DRYER

CENTRIFUGE

ELECTRIC FURNACE

LIFTING TABLE

LABORATORY  
CONSUMABLE

Model	HH.W21		S.HH.W21	
Specifications	(Thermostatic ) 420	(Thermostatic ) 600	(3 - Purpose usage) 420	(3 - Purpose usage) 600
Power (W)	500	750	1000	2000
Working Voltage	110/220V			
Range of temperature contro (°C)	RT +10~ 65		RT+10~ 100	
Wave degree of temperature (°C)	±1			
Temp. Resolution Ratio	0.1°C			
Temp. Motion	±0.5°C			
Inner Chamber	High quality hairline stainless steel plate			
Outer Shell	Cold rolling steel electrostatic spraying exterior			
Cover	High quality hairline stainless steel plate			
Heater	Stainless steel heating tube			
Temp. control mode	PID			
Temp. setting mode	Touch button setting			
Temp. display mode	Measuring temperature: display on the three digital tubes upper row ;setting temperature: display on the lower row			
Timer	0~9999min (with timing wait function)			
Operation function	Fixed temperature operation,timing function, auto stop.			
Additional function	Deviation correction、 Menu key lock、 Power-off compensation、 Power failure memory			
Volume (L)	7.5	27	7.5	27
Number of holes(pc)			2	6
Size of Working Room (L *W*H)(mm)	420* 180* 100	600* 300* 150	420*180*100	600*300* 150
Overall dimension(L*W*H)(mm)	595 * 225* 263	775*345*335	595 * 225* 263	775*345*335
Number of Circle Cover (pc/hole)	\		5	
Size of Circle Cover (mm)	\		φ120、 φ97、 φ75、 φ55、 φ40	
NW/GW (kg)	6.8/ 7.3	12.5/ 14.8	7.5/8.4	14/ 16.5
Volume	11L	36L	11L	36L
Optional accessories	Different sizes can be customized, can add power off protection function when water shortage.			
Safety device	Over temperature alarm			