

DRYING OVEN

LABORATORY INCUBATOR

MUFFLE FURNACE

WATER DISTILLER

WATER BATH & OIL BATH

HEATING MANTLE

STIRRER

MIXER & SHAKER

HEATING PLATE & SAND BATH

DIGESTION APPARATUS & METAL BATH

NITROGEN SAMPLE CONCENTRATOR

CLEAN BENCH

STERILIZER

VACUUM PUMP

FILTRATION

GRINDER

COLONY COUNTER

DRYER

CENTRIFUGE

ELECTRIC FURNACE

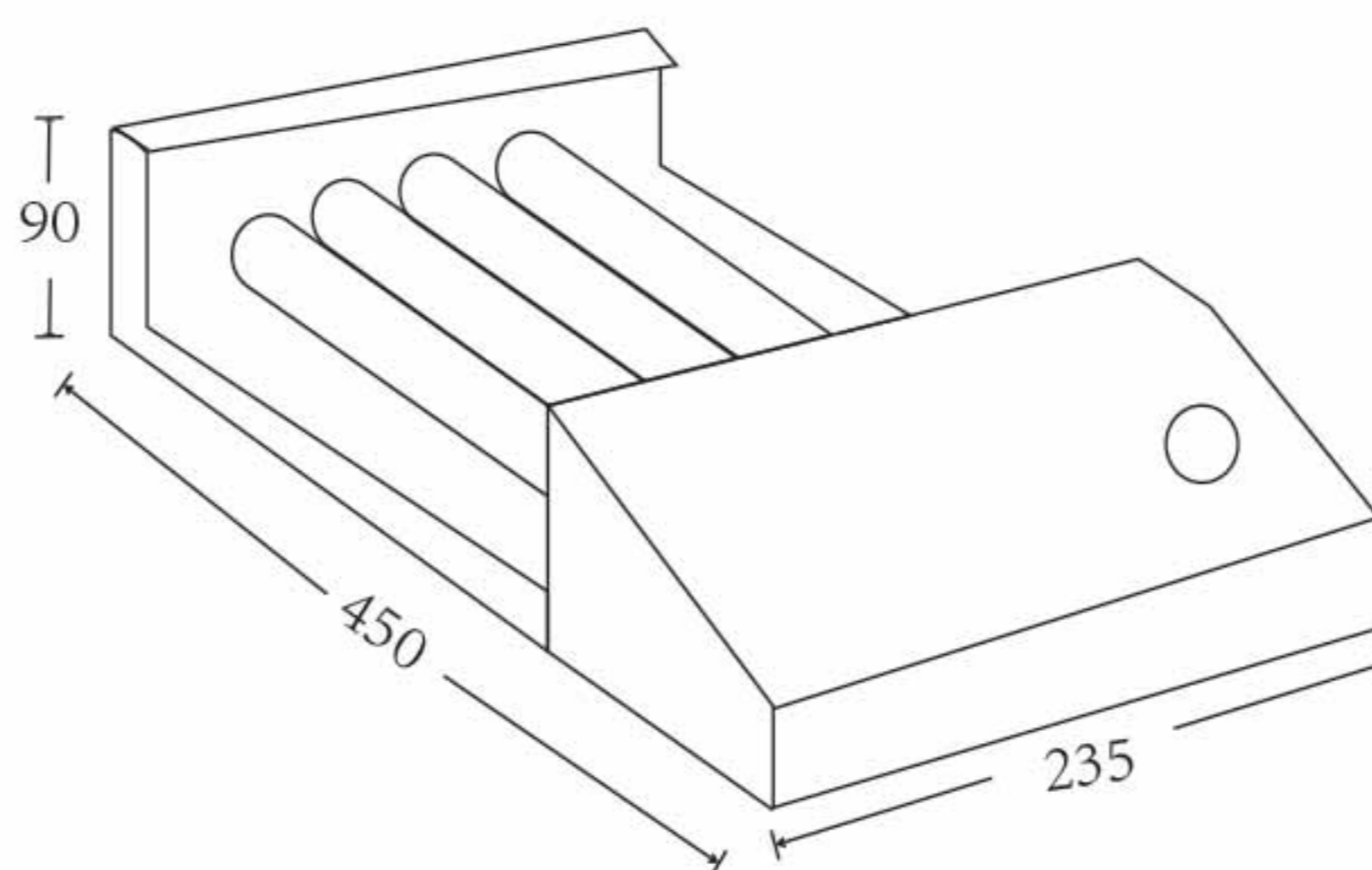
LIFTING TABLE

LABORATORY CONSUMABLE

Roller Tube Mixer



Dimension(mm)



The Roller Tube Mixer LSM/LSMA is widely used in mixing blood sample, sticky substance and solid-liquid suspension, etc. It provides two operation modes -rolling and swinging to improve mixing efficiency and safety. It is applied in preventing blood clotting, immunoprecipitation, and other similar using.



Laboratory

Research



Characteristics:

- Rocking and rolling motions for complete mixing
- Digital display for speed and time control
- Speed range of 10-80rpm
- Six rollers, roller length 280mm, suitable for tubes diameter 6-34mm.
- Digital setting for speed and time

Major Technical Parameters:

Model	LSM-80	LSM-80D	LSMA-80	LSMA-80D
Operation Mode	Rocking and Rolling	Rolling	Rocking and Rolling	Rolling
Amplitude	25mm	/	25mm	/
Max Load	4KGS		10KGS	
Max capacity	12x50ml Centrifuge tube			
Quantity of Roller	6			
Roller Length	280mm			
Controller Type	Knob		LED	
Timer	/		1-9999min	
Speed range	10-80rpm			
Voltage	AC220V 50Hz		AC100-240V 50Hz	
Power	25W			
Allowed ambient humidity temp.	5 ~ 40°C, 80%RH			
Size of Exterior (L*W*H) (mm)	450*235*90		450*235*90	
NW(KG)	4		5	
GW(KG)	5		6	