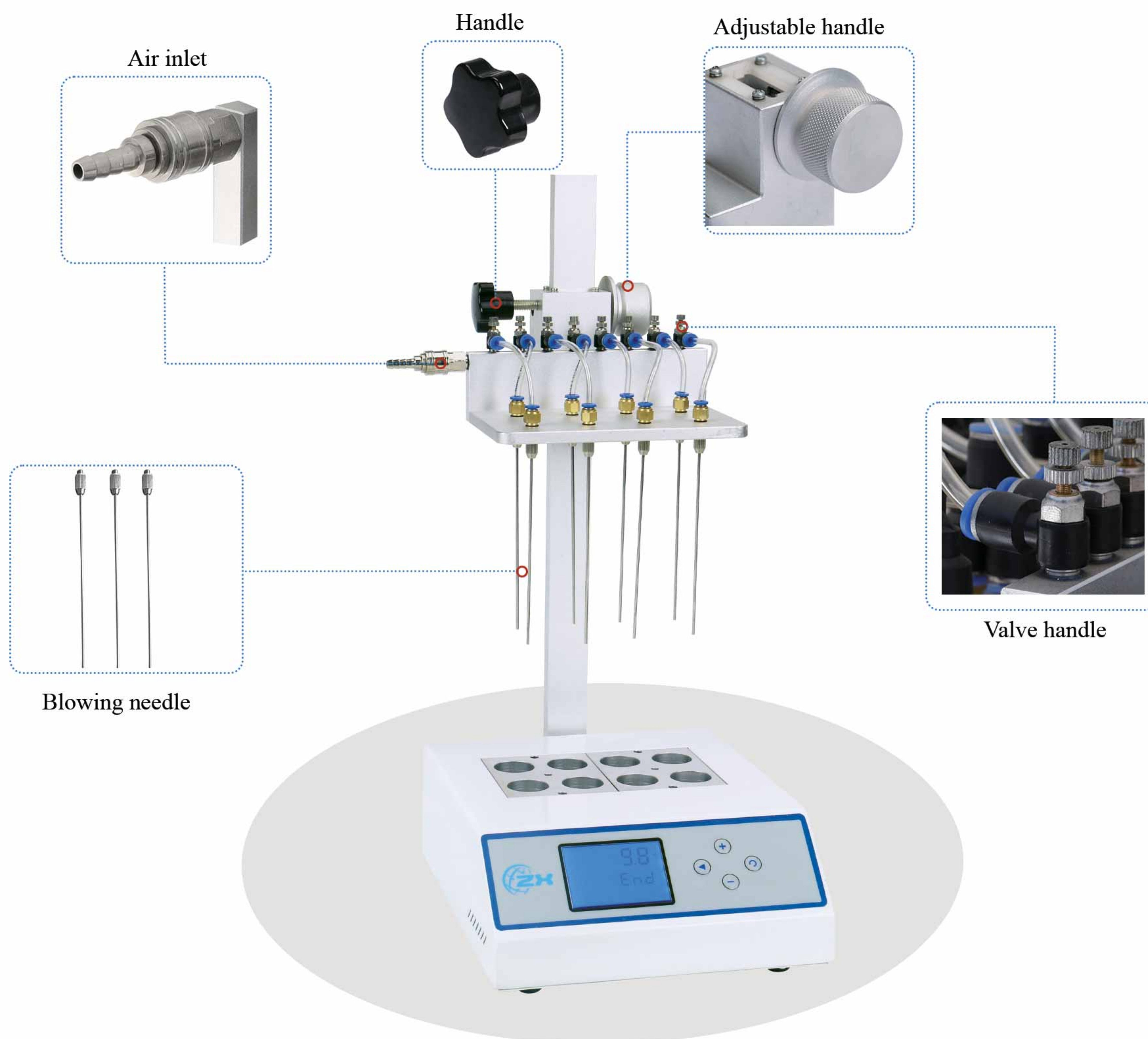
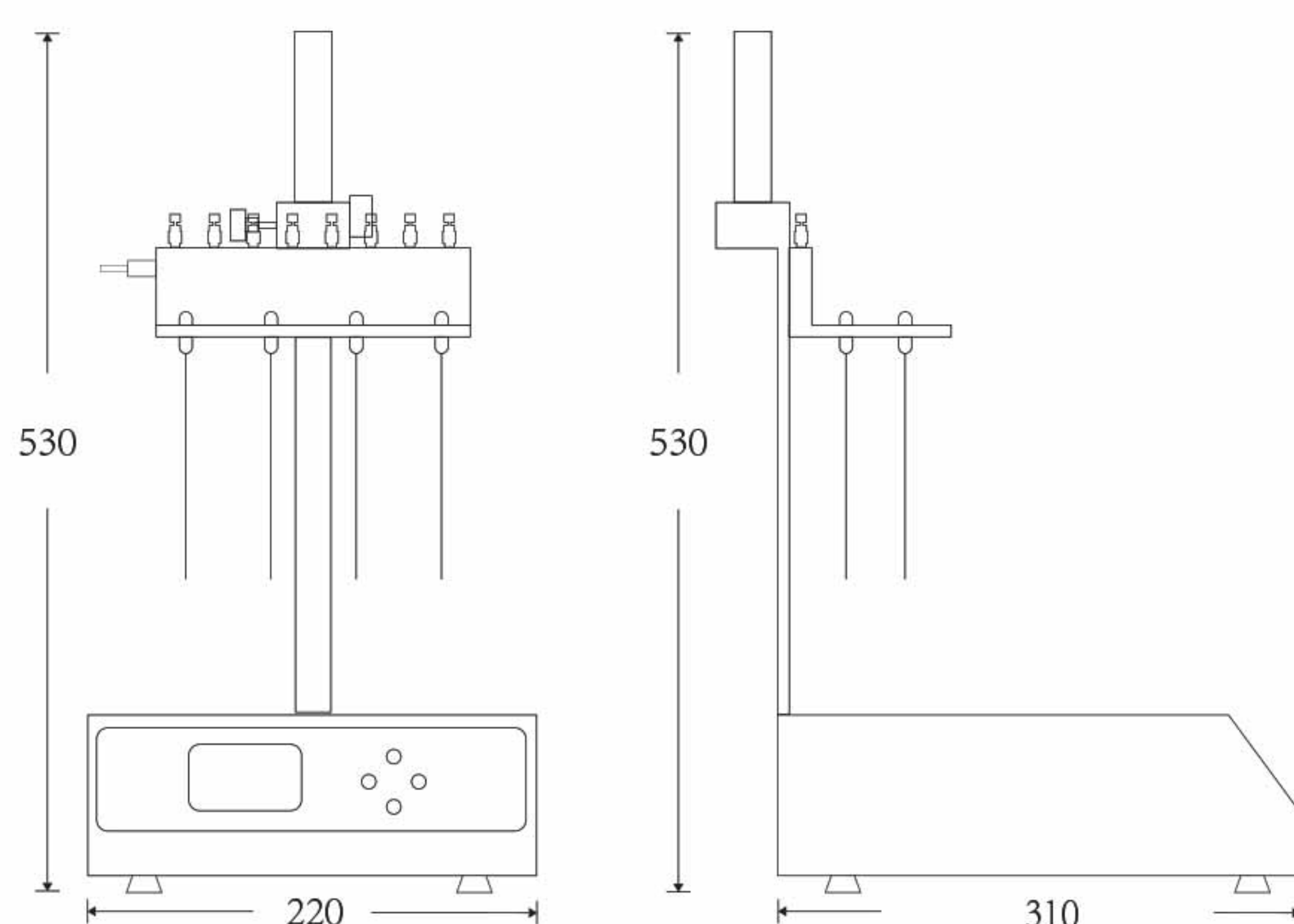


Nitrogen Sample Concentrator

- DRYING OVEN
- LABORATORY INCUBATOR
- MUFFLE FURNACE
- WATER DISTILLER
- WATER BATH & OIL BATH
- HEATING MANTLE
- STIRRER
- MIXER & SHAKER
- HEATING PLATE & SAND BATH
- DIGESTION APPARATUS & METAL BATH
- NITROGN SAMPLE CONCENTRATOR**
- CLEAN BENCH
- STERILIZER
- VACUUM PUMP
- FILTRATION
- GRINDER
- COLONY COUNTER
- DRYER
- CENTRIFUGE
- ELECTRIC FURNACE
- LIFTING TABLE
- LABORATORY CONSUMABLE



Dimension(mm)



DRYING OVEN
LABORATORY INCUBATOR
MUFFLE FURNACE
WATER DISTILLER
WATER BATH & OIL BATH
HEATING MANTLE
STIRRER
MIXER & SHAKER
HEATING PLATE & SAND BATH
DIGESTION APPARATUS & METAL BATH

The Nitrogen Sample Concentrator is used for concentrating or preparing samples in batches. It is used in processes such as drug screening, hormone analysis, liquid phase and mass spectrometry in the analysis of sample preparation. It works by blowing nitrogen in the surface of the sample which is being heated to accelerate evaporating and separating the solvent in the samples without oxygen. Instead of the rotary evaporation instrument, the nitrogen sample concentrator can efficiently concentrate dozens of samples simultaneously.



NITROGN SAMPLE CONCENTRATOR

CLEAN BENCH
STERILIZER
VACUUM PUMP

Characteristics:

- Adjustable position of gas needle in air chamber plate for different types of tubes
- Adjustable height of air chamber plate. The length of a standard gas needle is 150mm
- Patented individually controlled gas needles for enhanced control. Gas pressure is uniform from all needles. Simply close and open by moving needle up or down.
- The instrument can be put into a ventilation cabinet when the concentration sample is toxic solvents
- Built-in overheating protection, automatic fault detection and fault alarm features
- LCD displays temperature and time. Operation is simple and convenient. Can be set for continuous operation.
- Works by heating with dry bath in the bottom and nitrogen blowing on the surface which accelerates liquid evaporation and sample concentration
- Standard configured air cavity and adjustable bracket

Major Technical Parameters:

Model	NDK200-1	NDK200-2
Temp. Range	RT+5-150°C	
Heating speed	≤30min(40°C-150°C)	
Temp. Accuracy (40-100°C)	±0.5°C	
Temp. Accuracy (100-150°C)	±1°C	
Temp. Fluctuation(100°C)	±0.5°C	
Block temp uniformity(100°C)	≤±0.5 °C	
Block temp uniformity(150°C)	≤±1 °C	
Temp display accuracy	0.1°C	
Needle length	150mm	
Blocks Quantity	1Piece	2Pieces
Controller Type	LCD	
Time Range	9999min	
Nitrogen Flow Rate	0-15L/min	
Nitrogen Pressure	Air Needle≤16, 0.04MPa	Air Needle>16, 0.12MPa
Voltage	110V/220V	
Heating Power	200W	400W
Size of Exterior (W*D*H)(mm)	220*310*530	220*310*530

FILTRATION
GRINDER
COLONY COUNTER
DRYER
CENTRIFUGE
ELECTRIC FURNACE
LIFTING TABLE
LABORATORY CONSUMABLE

List of Blocks:

DRYING OVEN

LABORATORY
INCUBATOR

MUFFLE FURNACE

WATER DISTILLER

WATER BATH
& OIL BATH

HEATING MANTLE

STIRRER

MIXER & SHAKER

HEATING PLATE &
SAND BATH

DIGESTION APPARATUS
& METAL BATH

**NITROGEN SAMPLE
CONCENTRATOR**

CLEAN BENCH

STERILIZER

VACUUM PUMP

FILTRATION

GRINDER

COLONY COUNTER

DRYER

CENTRIFUGE

ELECTRIC FURNACE

LIFTING TABLE

LABORATORY
CONSUMABLE

	Block number	Tube diameter × deepness (mm)	Number of test tubes	Block size (L*W*H) (mm)	Block image
	DT01A	6×46	12	95.5*76.5*50	
	DT02A	7×46	12	95.5*76.5*50	
	DT03A	10×46	12	95.5*76.5*50	
	DT04A	12×47	12	95.5*76.5*50	
	DT05A	13×47	12	95.5*76.5*50	
	DT06	15×47	12	95.5*76.5*50	
	DT07	16×47	12	95.5*76.5*50	
	DT08	19×47	12	95.5*76.5*50	
	DT09	20×47	6	95.5*76.5*50	
	DT10	26×47	6	95.5*76.5*50	
	DT11	28×47	4	95.5*76.5*50	
	DT12	40×47	2	95.5*76.5*50	
	DT13A	0.5ml Centrifuge tube×25	12	95.5*76.5*50	
	DT14A	1.5ml Centrifuge tube×30	12	95.5*76.5*50	
	DT15A	2.0ml Centrifuge tube×32	12	95.5*76.5*50	
	DT16A	0.2ml×18	12	95.5*76.5*50	