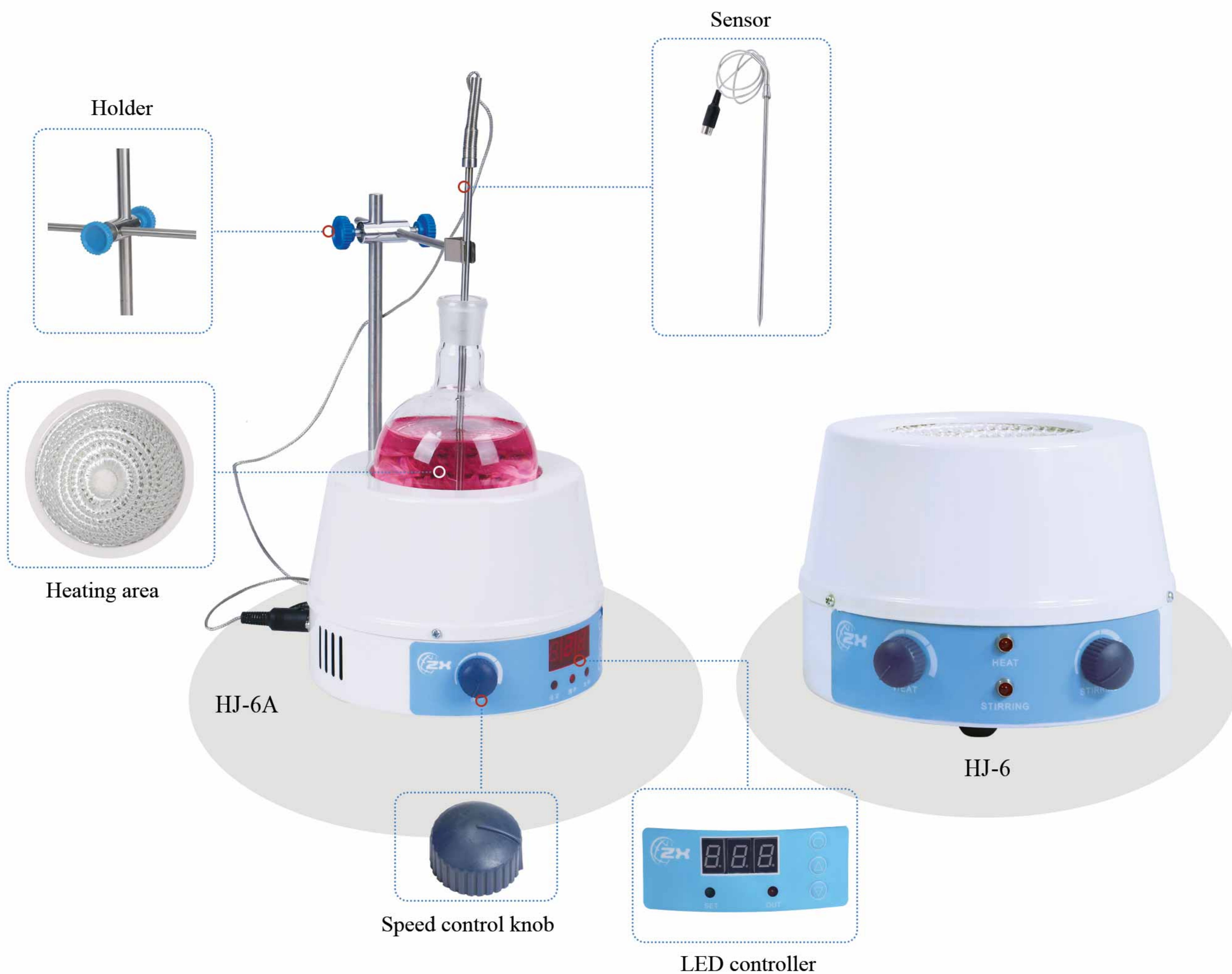
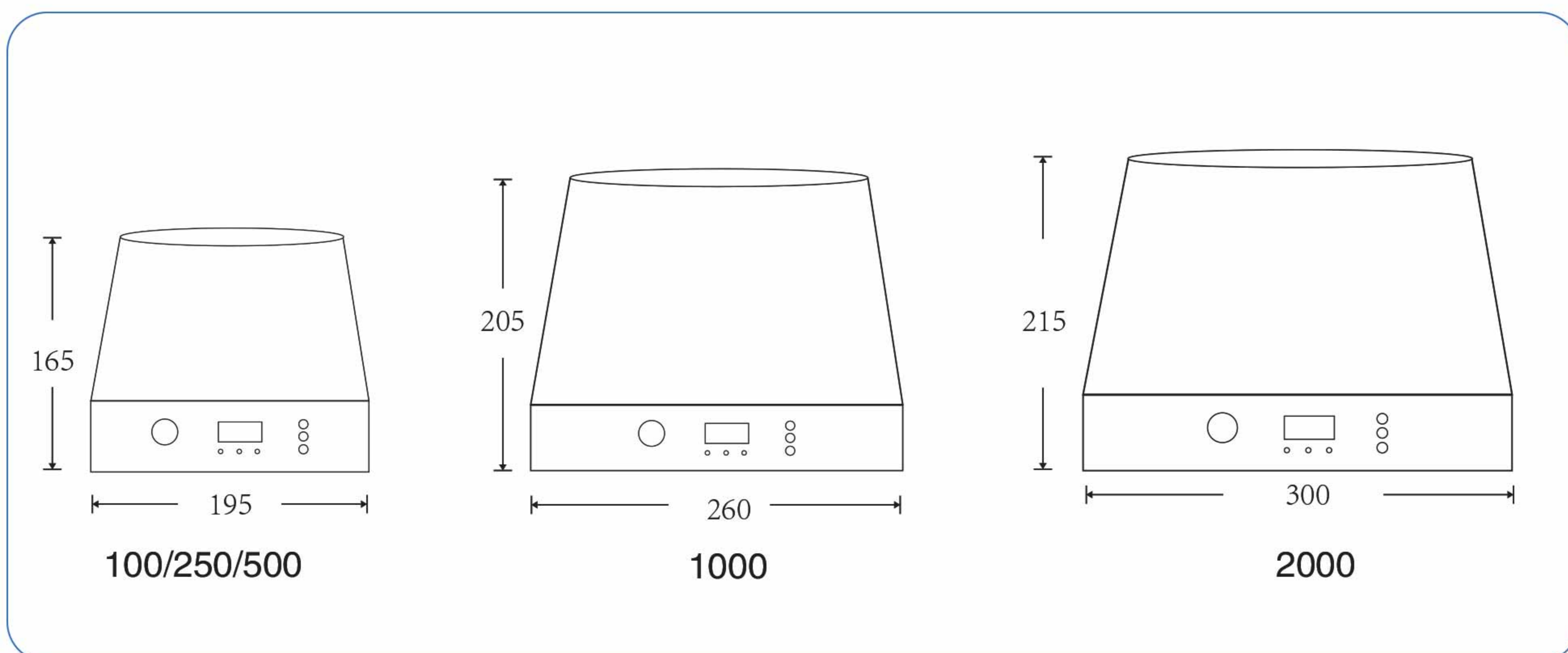


# Magnetic Stirring Heating Mantle

- DRYING OVEN
- LABORATORY INCUBATOR
- MUFFLE FURNACE
- WATER DISTILLER
- WATER BATH & OIL BATH
- HEATING MANTLE**
- STIRRER
- MIXER & SHAKER
- HEATING PLATE & SAND BATH
- DIGESTION APPARATUS & METAL BATH
- NITROGEN SAMPLE CONCENTRATOR
- CLEAN BENCH
- STERILIZER
- VACUUM PUMP
- FILTRATION
- GRINDER
- COLONY COUNTER
- DRYER
- CENTRIFUGE
- ELECTRIC FURNACE
- LIFTING TABLE
- LABORATORY CONSUMABLE



## Dimension(mm)



DRYING OVEN

LABORATORY  
INCUBATOR

MUFFLE FURNACE

WATER DISTILLER

WATER BATH  
& OIL BATH

HEATING MANTLE

STIRRER

MIXER & SHAKER

HEATING PLATE &  
SAND BATH

DIGESTION APPARATUS  
& METAL BATH

NITROGEN SAMPLE  
CONCENTRATOR

CLEAN BENCH

STERILIZER

VACUUM PUMP

FILTRATION

GRINDER

COLONY COUNTER

DRYER

CENTRIFUGE

ELECTRIC FURNACE

LIFTING TABLE

LABORATORY  
CONSUMABLE

**The Magnetic Stirring Heating Mantle is used for liquid heating and stirring used in modern oil, Chemical, medical and sanitary field, environment protection, bio-chemistry, experimental analysis and education & research development field.**



Laboratory Study



Industrial Research



Scientific Research



College Experiment

DRYING OVEN

### Characteristics:

- High temperature resistance fiberglass is used as insulation materials, resistance wire of nickel chrome material is sealed in the insulation layer and weaved into semisphere internal heater.
- The product is fashionable and attractive, easy to operate with effective use.
- It adopts stepless speed that is easy to operate and it can make stable precise stirring to liquid solution within a wider speed scope, especially in the experiments of samples with small volume.
- Heating method:
  - ①Electronic temperature controller
  - ②LED controller

LABORATORY INCUBATOR

MUFFLE FURNACE

WATER DISTILLER

WATER BATH & OIL BATH

HEATING MANTLE

### Major Technical Parameters:

STIRRER

MIXER & SHAKER

HEATING PLATE & SAND BATH

DIGESTION APPARATUS & METAL BATH

NITROGEN SAMPLE CONCENTRATOR

CLEAN BENCH

STERILIZER

VACUUM PUMP

FILTRATION

GRINDER

COLONY COUNTER

DRYER

CENTRIFUGE

ELECTRIC FURNACE

LIFTING TABLE

LABORATORY CONSUMABLE

Model	HJ-6= Electronic temperature controller HJ-6A=LED controller				
	Capacity(ml)	100	250	500	1000
Heating Power(W)	180	180	250	300	500
Surface Max Temp.	380°C				
Heating Mode	Surface heat-conduction				
Heating Element	Nichrome Wire				
Material of Insulation layer	High quality aluminum silicate cotton				
Voltage	110/220V				
Working Mode	Continuous				
Sensor	PT100				
Speed range	0-1200rpm				
Stir Bar	PTFE				
Motor Power	10w				
Size of Heating Area(mm)	Φ70*40	Φ95*50	Φ115*50	Φ150*70	Φ180*70
Size of Exterior (D*H)(mm)	220*195*165	220*195*165	220*195*165	Φ280*260*205	Φ320*300*215
NW(KGS)	2.7	2.5	2.5	3.9	5.3
GW(KGS)	3.1	2.8	5.8	4.5	6.1