

DRYING OVEN

LABORATORY INCUBATOR

MUFFLE FURNACE

WATER DISTILLER

WATER BATH & OIL BATH

HEATING MANTLE

STIRRER

MIXER & SHAKER

HEATING PLATE & SAND BATH

DIGESTION APPARATUS & METAL BATH

NITROGEN SAMPLE CONCENTRATOR

CLEAN BENCH

STERILIZER

VACUUM PUMP

FILTRATION

GRINDER

COLONY COUNTER

DRYER

CENTRIFUGE

ELECTRIC FURNACE

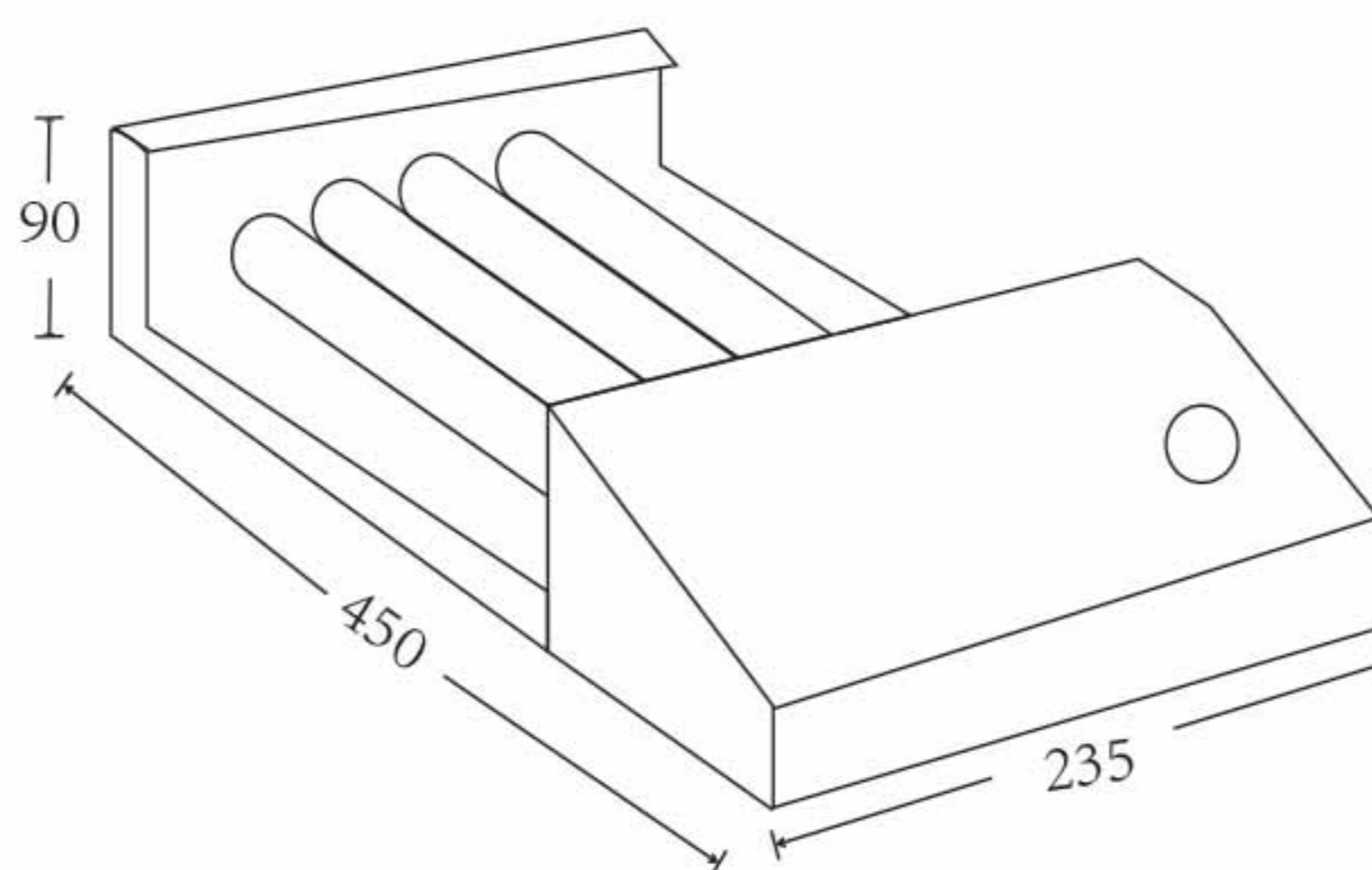
LIFTING TABLE

LABORATORY CONSUMABLE

LCD Touch Screen Roller Tube Mixer

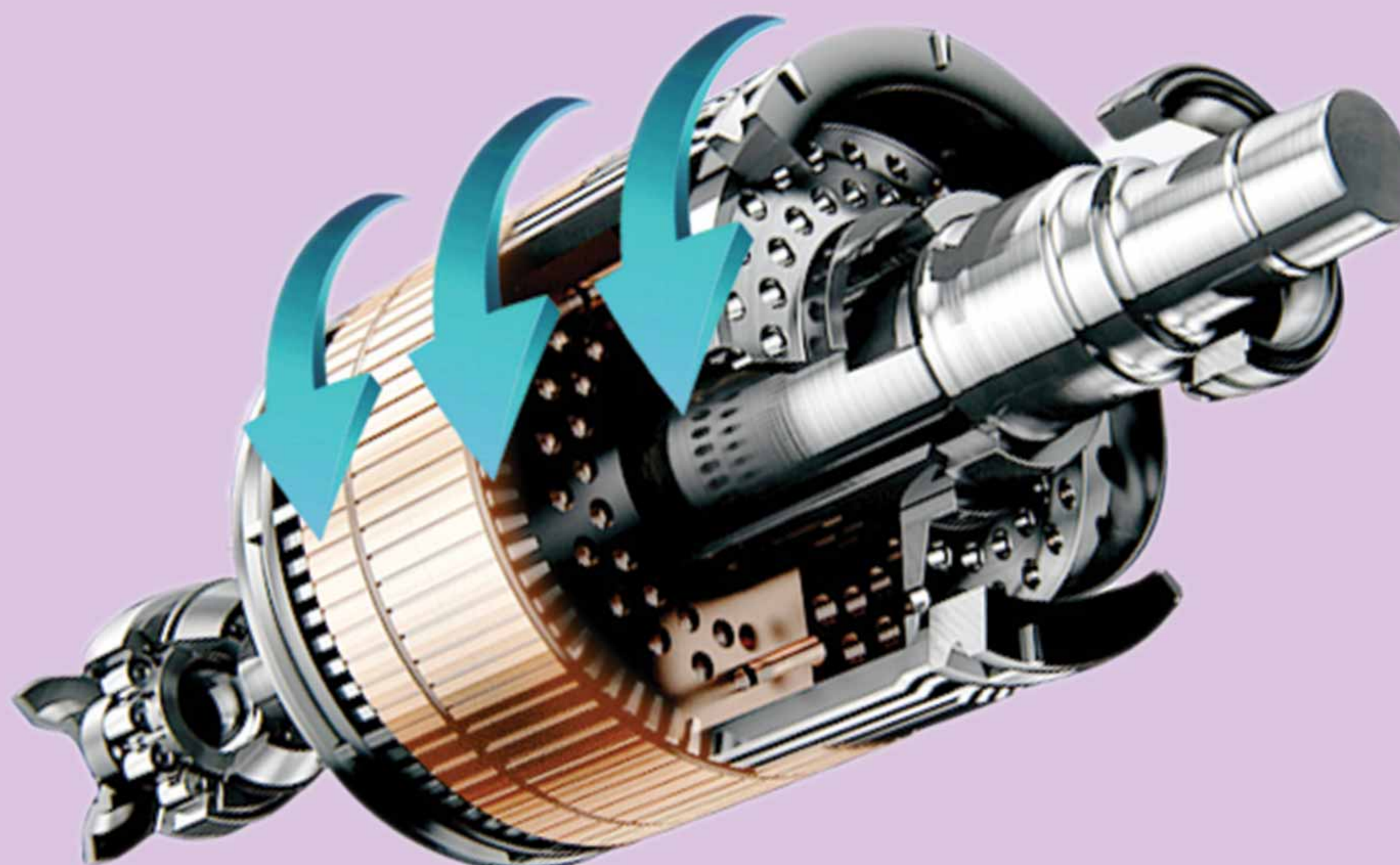


Dimension(mm)



Brushless DC motor

The motor is maintenance-free, can work continuously for a long time has strong power, low noise, large torque, and stable starting.



DRYING OVEN
LABORATORY INCUBATOR
MUFFLE FURNACE
WATER DISTILLER
WATER BATH & OIL BATH
HEATING MANTLE
STIRRER
MIXER & SHAKER
HEATING PLATE & SAND BATH
DIGESTION APPARATUS & METAL BATH
NITROGEN SAMPLE CONCENTRATOR
CLEAN BENCH
STERILIZER
VACUUM PUMP
FILTRATION
GRINDER
COLONY COUNTER
DRYER
CENTRIFUGE
ELECTRIC FURNACE
LIFTING TABLE
LABORATORY CONSUMABLE

The TR-280/TR-280D Roller Tube Mixer is used for mixing blood samples, viscous substances and solid-liquid suspensions, etc. The rolling and swinging modes provide efficient and safe mixing, suitable for similar applications such as preventing blood clotting, immunoprecipitation and so on.



Characteristics:

- LCD touch control system in different fields, can set and display the number of revolutions, time.
- The program can be run at the same time to set different revolutions and time
- Timing conversion system can complete the switch between seconds, minutes and hours
- Rolling and rocking two models are available, continuous long time operation mode, safe and stable
- The DC brushless motor performance is stable, speed is adjustable, up to 80rpm, low noise, long service life
- The motor overload, blocked alarm, effectively ensure the safety of the motor
- Compatible with the use of different sizes of test tubes, a wide range of applications

Major Technical Parameters:

Model	TR-280	TR-280D
Operation Mode	Rocking and Rolling	Rolling
Amplitude	25mm	/
Max Load	4KGS	
Max capacity	12x50ml Centrifuge tube	
Quantity of Roller	6	
Roller Length	280mm	
Motor type	Brushless DC Motor	
Precision of Rotate Speed	1rpm	
Controller Type	LCD Touch Screen programmable Controller	
Programmable segment	20	
Timer	1-9999min	
Speed range	10-80rpm	
Voltage	AC100-240V 50Hz	
Power	25W	
Allowed ambient humidity temp	5 ~ 40°C, 80%RH	
Size of Exterior (L*W*H) (mm)	450*235*100	