

DRYING OVEN

LABORATORY INCUBATOR

MUFFLE FURNACE

WATER DISTILLER

WATER BATH & OIL BATH

HEATING MANTLE

STIRRER

MIXER & SHAKER

HEATING PLATE & SAND BATH

DIGESTION APPARATUS & METAL BATH

NITROGEN SAMPLE CONCENTRATOR

CLEAN BENCH

STERILIZER

VACUUM PUMP

FILTRATION

GRINDER

COLONY COUNTER

DRYER

CENTRIFUGE

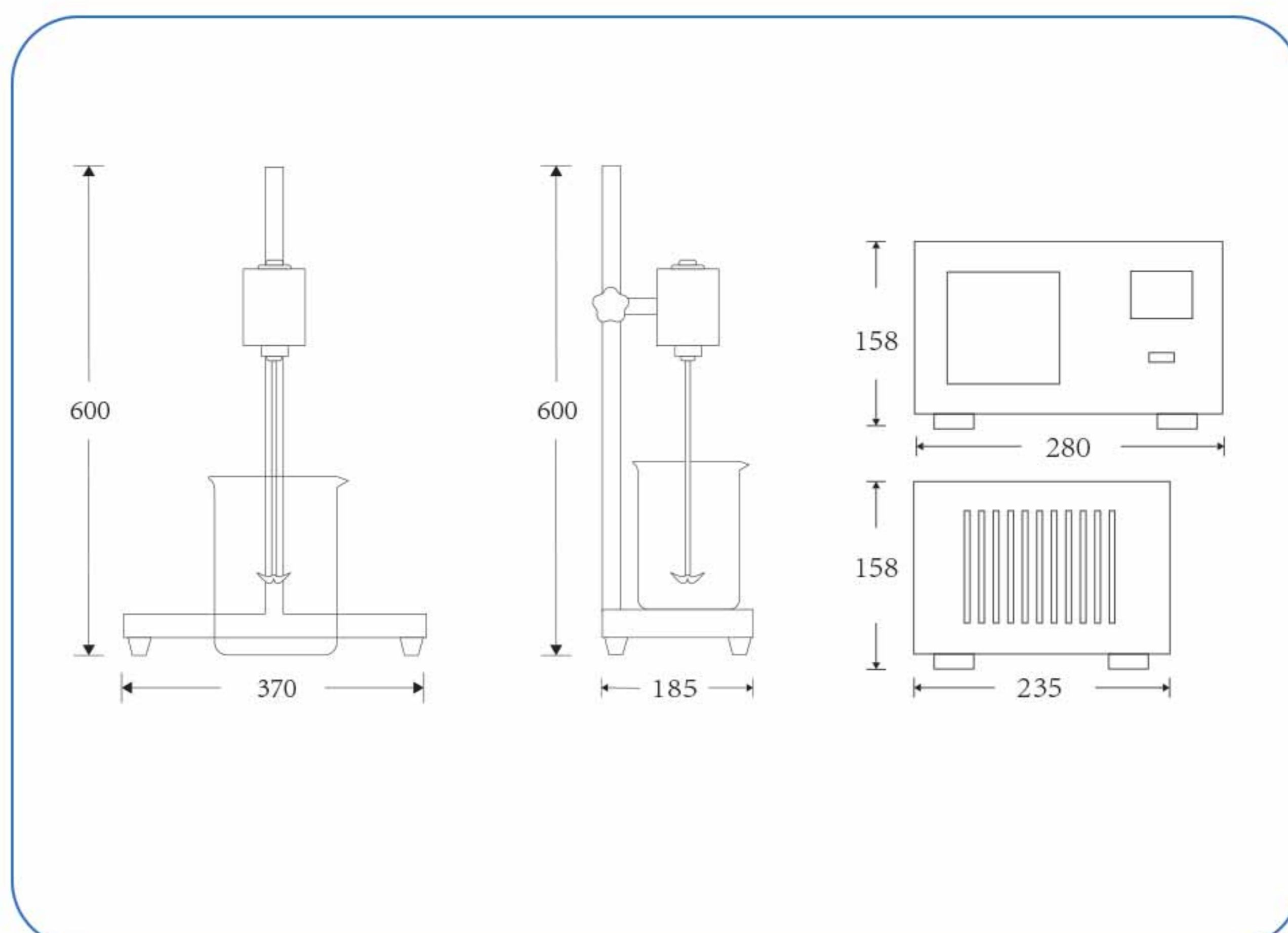
ELECTRIC FURNACE

LIFTING TABLE

LABORATORY CONSUMABLE

High Speed Electric Mixer

Dimension(mm)



JJ-1

High Speed electric mixer is improved from our high-power electric mixer . The stirrer is made of stainless steel which make the machine has high resistance to corrosion . It is also has timing function . The magnetic stirrers is operated easily, non scale changes speed, can mix liquid precisely and stably in wide speed range, especially fit large samples experiments. It is the necessary tools for petroleum, chemical, metallurgy, textile, food, medicine and health, environmental protection, biological and chemical laboratories, analysis room, education and scientific research.



Biology



Food



Chemistry



Medicine



Research Institutes



Laboratory

Major Technical Parameters:

Model	JJ-1						
Power	25W	40W	60W	100W	160W	200W	300W
Adjustable speed range	Start—3000r/min						
Timing scope	0-120min (Normally open)						
Power supply voltage	110/220V						