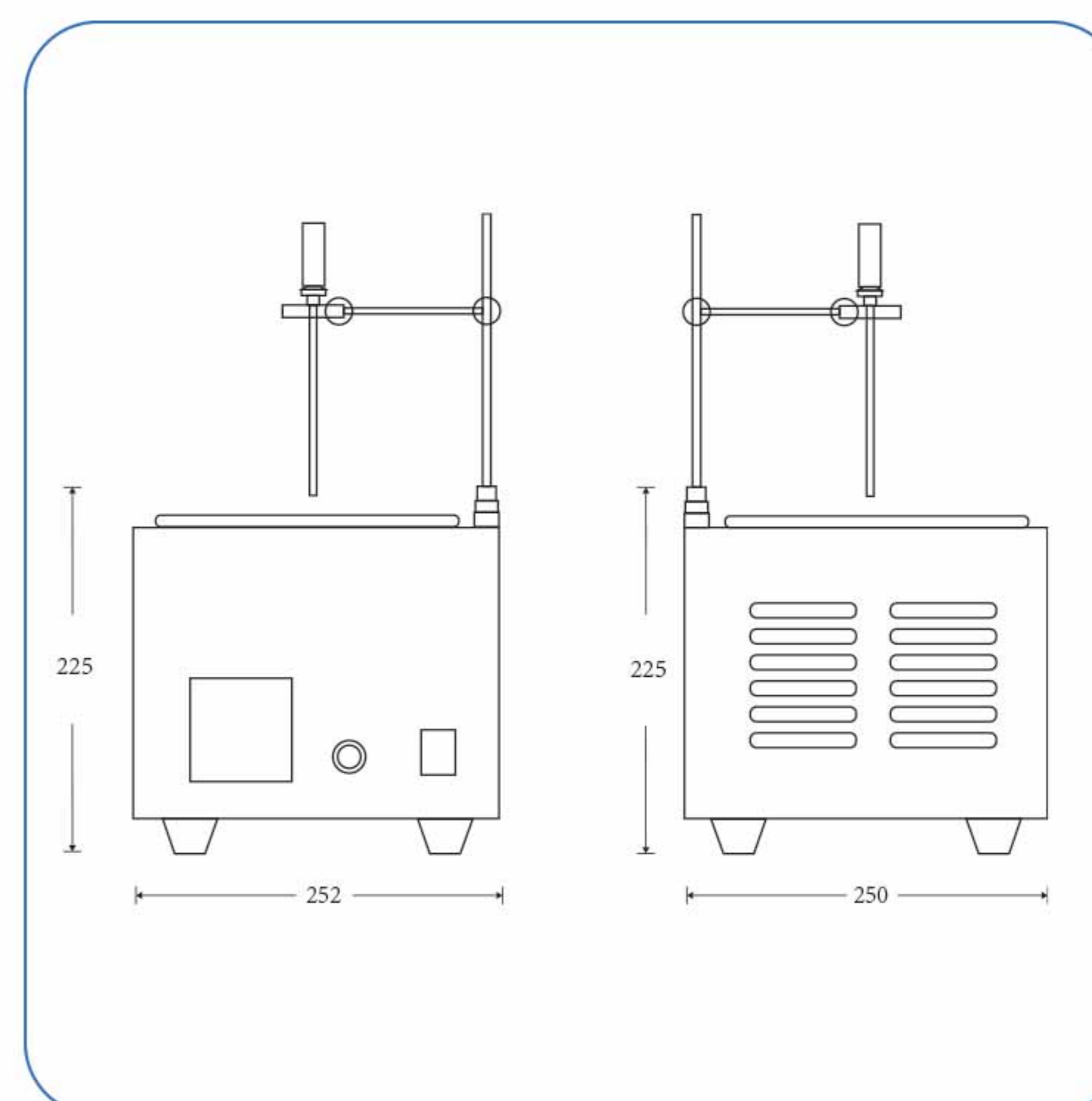


# Heat Collection Magnetic Stirrer

- DRYING OVEN
- LABORATORY INCUBATOR
- MUFFLE FURNACE
- WATER DISTILLER
- WATER BATH & OIL BATH
- HEATING MANTLE
- STIRRER**
- MIXER & SHAKER
- HEATING PLATE & SAND BATH
- DIGESTION APPARATUS & METAL BATH
- NITROGEN SAMPLE CONCENTRATOR
- CLEAN BENCH
- STERILIZER
- VACUUM PUMP
- FILTRATION
- GRINDER
- COLONY COUNTER
- DRYER
- CENTRIFUGE
- ELECTRIC FURNACE
- LIFTING TABLE
- LABORATORY CONSUMABLE



## Dimension(mm)



The Heat Collection Magnetic Stirrer adopt Heat collection heating method, the container is completely in thermal radiation, the heating speed is 3 times of other products. Uniform temperature, high efficiency and is more adapt to the spherical flask. Widely used in various colleges, environmental protection units. The instrument performance is good, no noise, no vibration, heating up fast, is the ideal choice of the experimenter.



A must for college laboratories



Necessary for mining enterprises to experiment



Essential for medical research

## Characteristics:

- This product adopts brushless dc motor, low noise, smooth speed, long service life, solve the disadvantages of the general products can't
  - long time continuous heating
  - Stainless steel tank corrosion resistant, easy to clean
  - Stirrer made of PTFE and high quality magnetic steel, high temperature resistance, wear resistance, corrosion resistance, rotating force is strong, can work in airtight container
- This product is equipped with automatic constant temperature device.

## Major Technical Parameters:

Model	DF-101S
Mode	Digital+Heating+Stirring
Controller type	LED
Temp. Range	RT-300°C
Max. Stirring Capacity	1000ml
Timer	Yes
Speed range(rpm)	Start-2000(Stepless speed regulation)
Material of heating Plate	High quality stainless steel
Material of Exterior	Iron plate welding, surface spraying
Stir bar	PTFE
Heating Power	500W
Stirring Power	40W
Voltage	AC220V 50Hz
Size of Working Area (D*H)(mm)	Φ200*100
Size of Exterior (L*W*H)(mm)	252*250*225