

Aluminum Heating Plate

DRYING OVEN

LABORATORY INCUBATOR

MUFFLE FURNACE

WATER DISTILLER

WATER BATH & OIL BATH

HEATING MANTLE

STIRRER

MIXER & SHAKER

HEATING PLATE & SAND BATH

DIGESTION APPARATUS & METAL BATH

NITROGEN SAMPLE CONCENTRATOR

CLEAN BENCH

STERILIZER

VACUUM PUMP

FILTRATION

GRINDER

COLONY COUNTER

DRYER

CENTRIFUGE

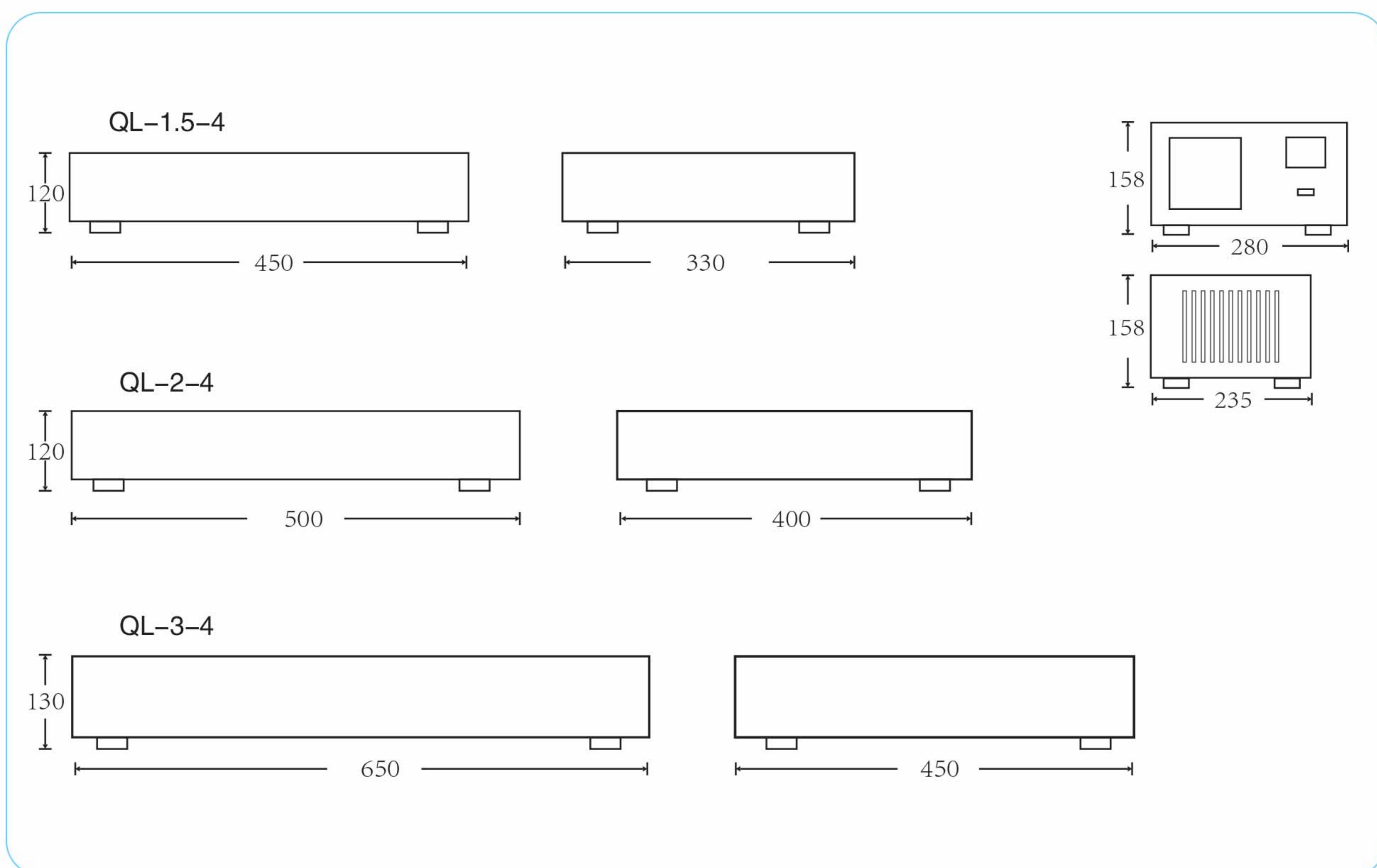
ELECTRIC FURNACE

LIFTING TABLE

LABORATORY CONSUMABLE



Dimension(mm)



DRYING OVEN
 LABORATORY INCUBATOR
 MUFFLE FURNACE
 WATER DISTILLER
 WATER BATH & OIL BATH
 HEATING MANTLE
 STIRRER
 MIXER & SHAKER
HEATING PLATE & SAND BATH
 DIGESTION APPARATUS & METAL BATH
 NITROGEN SAMPLE CONCENTRATOR
 CLEAN BENCH
 STERILIZER
 VACUUM PUMP
 FILTRATION
 GRINDER
 COLONY COUNTER
 DRYER
 CENTRIFUGE
 ELECTRIC FURNACE
 LIFTING TABLE
 LABORATORY CONSUMABLE

WIDELY APPLICABLE

Heating plate is made of high-quality aluminum relative than iron or aluminium material such as stainless steel, has a better heat conduction effect, long life, magnetic resistance, acid resistance and other advantages, to achieve the required temperature, is applicable to industrial and mining enterprises, health care, environmental protection, biochemical, scientific research units, such as laboratory do chemical analysis, logistics, heat treatment items such as baking, drying, or other temperature experiment.



Characteristics:

- The whole aluminum set used to effectively solve the digestions acid corrosion of layout and the shell.
- The separation design, to facilitate the protection of the controller.
- Totally enclosed heating tray, temperature uniformity, the halogen -light, heating up fast, safe and reliable.
- The control system is divided into: temperature control, intelligent, thermal control model is simple, intelligent temperature control precision is high.

Major Technical Parameters:

Model	QL-1.5-4	QL-2-4	QL-3-4
Size of working Area (mm)	400*280	450*350	600*400
Voltage(V)	110/220V		
Heating Power(KW)	1.5	2.2	3.3
Max Temperature	380°C (surface temperature)		
Overall dimension(mm)(L* W * H)(mm)	450*330*120	500*400*120	650*450*130
Outer Shell	Iron plate welding, surface spraying		
Setting method	Scale and Digital		
Timer	No / Digital		